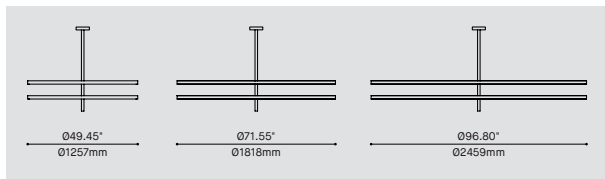
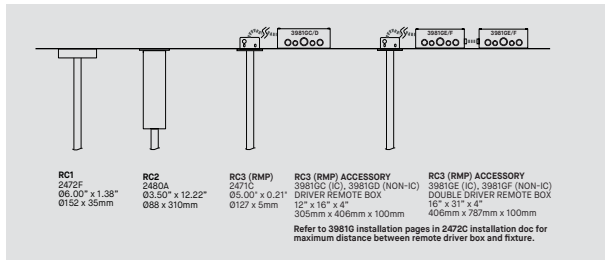


JUNCTION 74710

PROJECT PROJÉT
SPEC TYPE
NOTES



MOUNTING OPTIONS OPTIONS DE MONTAGE



ORDERING SPECIFICATION SPÉCIFICATION DE COMMANDE

MODEL MODÈLE		CODE	
74710D	JUNCTION - DIRECT		
74710DI	JUNCTION - DIRECT & INDIRECT		
ARM QUANTITY QUANTITÉ DE BRAS			
1	1 ARM		
2	2 ARMS		
3	3 ARMS		
4	4 ARMS		
5	5 ARMS		
ARMS LENGTH LONGUEUR DES BRAS			
48	48"		
72	72"		
96	96"		
LIGHT SOURCE SOURCE LUMINEUSE			
LED.LO	LOW OUTPUT		
LED	REGULAR OUTPUT		
LED.HO*	HIGH OUTPUT		
	* NOT AVAILABLE FOR 74710DI-5-72 AND 74710DI-5-96		
COLOR TEMPERATURE TEMPÉRATURE DE COULEUR			
27	2700K		
30	3000K		
35	3500K		
40*	4000K		
	* LONGER LEAD TIME MAY APPLY, PLEASE CONTACT YOUR EUREKA REPRESENTATIVE		
COLOR RENDERING INDEX (CRI) INDICE DE RENDU DE COULEUR (IRC)		90	
90	90+ CRI		
VOLTAGE VOLTAGE			
120V	120 VOLT		
277V	277 VOLT		
CONTROL OPTION OPTION DE CONTRÔLE			
DP*	PHASE DIMMING (120V ONLY)		
DV	0-10V DIMMING (120V-277V)		
NLTAIR2**	NLIGHT AIR CONTROL GEN 2		
NLIGHT**	NLIGHT WIRED CONTROL		
	* CONSULT CANOPY COMPATIBILITY CHART AT THE END OF DOC. FOR AVAILABILITY		
	** NLIGHT INTEGRATION REQUIRES THE USAGE OF A REMOTE POWER PACK ACC. (39NLWA OR 39NLAA)		
	** ONLY NLIGHT WIRED IS COMPATIBLE WITH RC3		
	LONGER LEAD TIME MAY APPLY, PLEASE CONTACT YOUR EUREKA REPRESENTATIVE		
	REFER TO NLIGHT GUIDE AND INSTALLATION SHEET FOR ALL REQUIREMENTS		
STEM TIGE		S	
S	STEM, NOT FIELD ADJUSTABLE		
STARTER STEM LENGTH (FROM CANOPY) LONGUEUR DE TIGE DU DÉBUT (À PARTIR DU PAVILLON)			
12	12" STEM		
24	24" STEM		
36	36" STEM		
	FOR OVERALL LENGTH PLEASE CONTACT YOUR EUREKA REPRESENTATIVE.		
	STARTER CUSTOM STEM LENGTH POSSIBLE UP TO 96". LONGER LEAD TIME MAY APPLY, PLEASE CONTACT YOUR EUREKA REPRESENTATIVE.		
MIDDLE AND END STEM LENGTH LONGUEUR DE TIGE DU MILIEU ET DE FIN			
6	6" STEM		
12	12" STEM		
	ALL MIDDLE STEMS WILL BE THE SAME LENGTH		
	FOR OVERALL LENGTH PLEASE CONTACT YOUR EUREKA REPRESENTATIVE.		
MOUNTING MONTAGE			
	CONSULT CANOPY AVAILABILITY CHART AT THE END OF DOCUMENT FOR COMPATIBILITY		
RC1	SCREWLESS CANOPY 06.00" X 1.38" (2472F)		
RC2	CYLINDRICAL CANOPY 03.50" X 12.22" (2480A)		
RC3*	REMOTE DRIVER OPTION FLUSH SCREWLESS CANOPY 05.00" X 0.21" (2471C)		
	*REQUIRES ACCESSORY 3981G1X. FOR VERSION SEE CANOPY COMPATIBILITY CHART AT THE END OF DOC.		
FINISH FINI			
BLKE	BLACK	CBE* CHOCOLATE BROWN	NBE* NAVY BLUE
WHE	WHITE	CPE* CLAY PINK	SBE* SAND BEIGE
CHM*	CHAMPAGNE METALLIC	DBE* DYNAMIC BLUE	SGE* SAGE GREY
SIM*	SILVER METALLIC	GGE* GRASS GREEN	STE* SUMMER TEAL
AYE*	APRICOT YELLOW	HGE* HUNTER GREEN	
BRE*	BRICK RED	LNE* LUNAR GREY	
RAL**	PLEASE SPECIFY RAL CODE		
	COLOR OF STEM AND CANOPY IS THE SAME AS THE LUMINAIRE FINISH		
	ALL FINISHES ARE FINE TEXTURED WITH THE EXCEPTION OF CHM, SIM		
	* LONGER LEAD TIME MAY APPLY, PLEASE CONTACT YOUR EUREKA REPRESENTATIVE		
	** SPECIFY 4 DIGIT RAL CLASSIC CODE. LONGER LEAD TIME MAY APPLY, PLEASE CONTACT YOUR EUREKA REPRESENTATIVE		

DIFFUSER FINISH FINI DIFFUSEUR

FRO FROST
PRI PRISMATIC

ACCESSORY ACCESSOIRE

ALL ACCESSORIES ARE AVAILABLE FOR ADVANCE SHIPPING

CONSULT CANOPY AVAILABILITY CHART AT THE END OF DOCUMENT FOR COMPATIBILITY

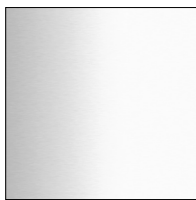
3981GC 1 DRIVER BOX FOR REMOTE INSTALLATION - 4" X 12" X 16"
3981GD1 1 NON-IC 120V ONLY DRIVER BOX FOR REMOTE INSTALLATION - 4" X 12" X 16"
3981GD2 1 NON-IC 277V ONLY DRIVER BOX FOR REMOTE INSTALLATION - 4" X 12" X 16"
3981GE 2 DRIVER BOXES FOR REMOTE INSTALLATION - 4" X 31" X 16"
3981GF1 2 NON-IC 120V ONLY DRIVER BOXES FOR REMOTE INSTALLATION - 4" X 31" X 16"
3981GF2 2 NON-IC 277V ONLY DRIVER BOXES FOR REMOTE INSTALLATION - 4" X 31" X 16"
39NLAA NLIGHT AIR GEN 2 REMOTE CONTROLLER
39NLWA NLIGHT WIRED REMOTE CONTROLLER

JUNCTION 74710 - FINISH OPTIONS / OPTIONS DE FINIS

Standard



BLKE
Black Textured

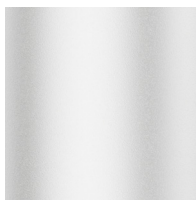


WHE
White Textured

Metallic



CHM
Champagne

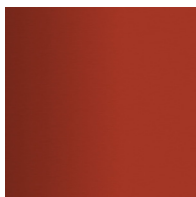


SIM
Silver

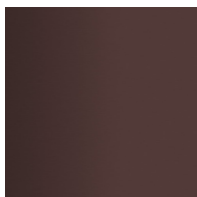
Premium



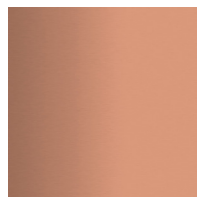
AYE
Apricot
Yellow
Textured



BRE
Brick Red
Textured



CBE
Chocolate
Brown
Textured



CPE
Clay Pink
Textured



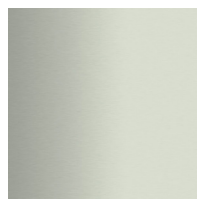
DBE
Dynamic Blue
Textured



GGE
Grass Green
Textured



HGE
Hunter Green
Textured



LNE
Lunar Gray
Texture



NBE
Navy Blue
Textured



SBE
Sand Beige
Textured

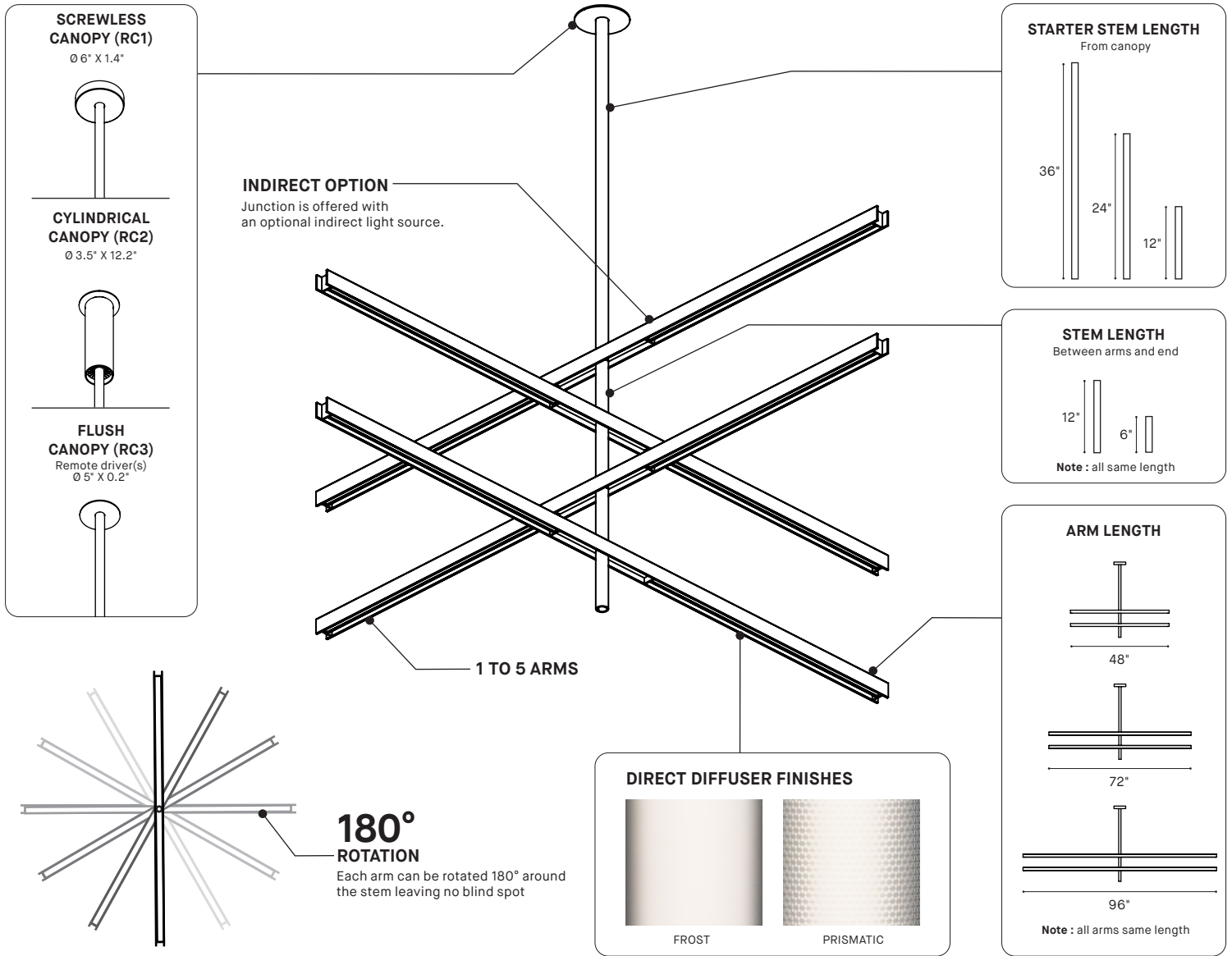


SGE
Sage Gray
Textured



STE
Summer Teal
Textured

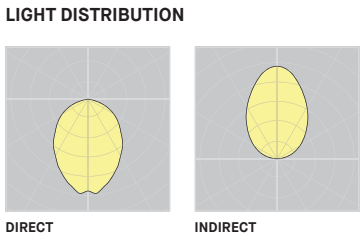
JUNCTION 74710



PRODUCT SPECIFICATION PER ARM	48" DIRECT	72" DIRECT	96" DIRECT	48" INDIRECT	72" INDIRECT	96" INDIRECT
PERFORMANCE	LO / REG / HO	LO / REG / HO	LO/REG/HO	LO / REG / HO	LO / REG / HO	LO / REG / HO
SYSTEM WATTAGE	6.0 / 12.3 / 25.6 W	9.0 / 18.5 / 38.4 W	12.0 / 24.5 / 50.9 W	6.0 / 12.3 / 25.6 W	12.0 / 24.6 / 51.2 W	12.0 / 24.6 / 51.2 W
DELIVERED LUMENS (4000K)	576 / 1160 / 2303 LM	864 / 1739 / 3454 LM	1150 / 2319 / 4612 LM	720 / 1450 / 2879 LM	1083 / 2174 / 4307 LM	1441 / 2900 / 5759 LM
EFFICACY	96 / 94 / 90 LM/W	96 / 94 / 90 LM/W	96 / 95 / 91 LM/W	120 / 118 / 112 LM/W	120 / 118 / 112 LM/W	120 / 118 / 112 LM/W
OTHER INFORMATION						
WEIGHT	~ 6.6 LBS / 3 KG	~ 7.7 LBS / 3.5 KG	~ 9 LBS / 4 KG			
L70 (LUMEN MAINTENANCE)	60,000 HRS	60,000 HRS	60,000 HRS	60,000 HRS	60,000 HRS	60,000 HRS

EFFICACY MULTIPLIERS

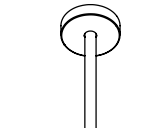
CRI	CCT	FACTOR
90+	4000K	1.00
90+	3500K	0.98
90+	3000K	0.94
90+	2700K	0.91



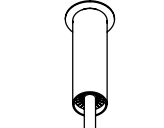
Visit our website for warranty terms and conditions.

JUNCTION 74710

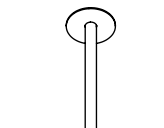
PAVILLON SANS VIS APPARENTE(RC1)
Ø 6" X 1.4"



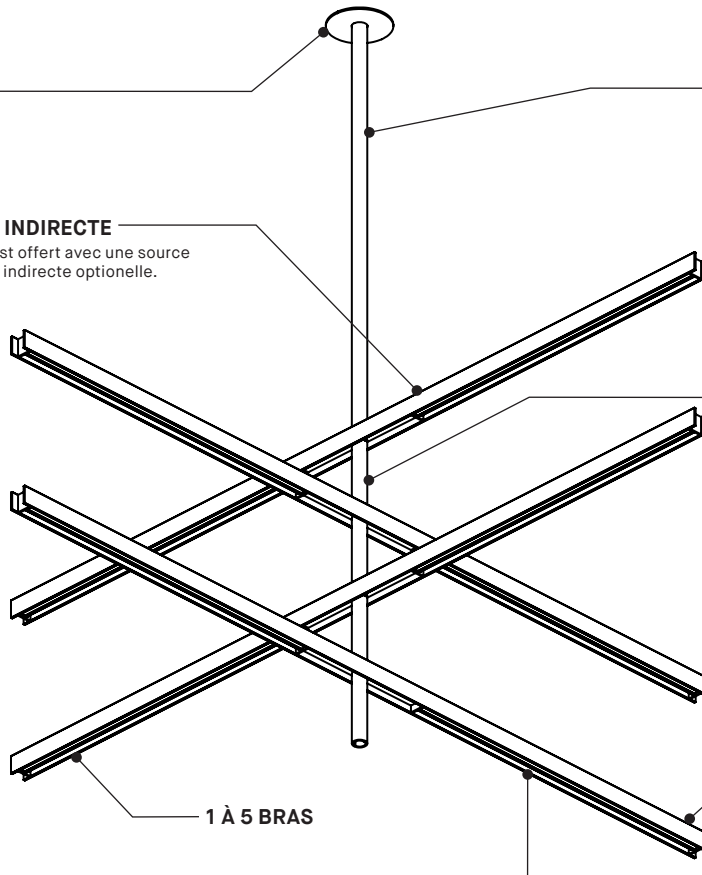
PAVILLON TUBE (RC2)
Ø 3.5" X 12.2"



PAVILLON PLAT SANS VIS APPARENTE
Unité(s) d'alimentation DEL à distance
Ø 5" X 0.2"

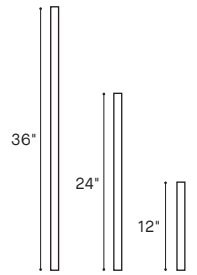


OPTION INDIRECTE
Junction est offert avec une source lumineuse indirecte optionnelle.

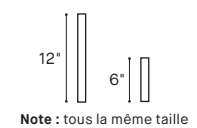


1 À 5 BRAS

LONGUEUR DE LA TIGE DE DÉPART

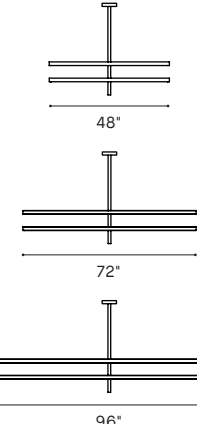


LONGUEUR DES TIGES
Entre les bras et fin



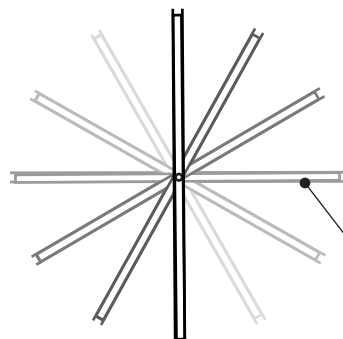
Note : tous la même taille

LONGUEUR DES BRAS

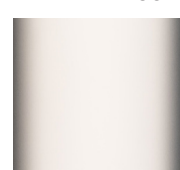



Note : tous les bras auront la même longueur

180° ROTATION
Chaque bras peut être pivoté sur 180° autour de la tige centrale.



FINI DE DIFFUSEUR DIRECT

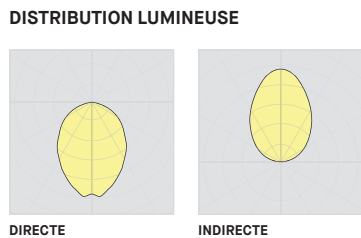



FROST PRISMATIC

SPECIFICATIONS PRODUIT PAR BRAS	48" DIRECT	72" DIRECT	96" DIRECT	48" INDIRECT	72" INDIRECT	96" INDIRECT
PERFORMANCE	LO/REG/HO	LO/REG/HO	LO/REG/HO	LO/REG/HO	LO/REG/HO	LO/REG/HO
PUISSANCE TOTALE	6.0 / 12.3 / 25.6 W	9.0 / 18.5 / 38.4 W	12.0 / 24.5 / 50.9 W	6.0 / 12.3 / 25.6 W	12.0 / 24.6 / 51.2 W	12.0 / 24.6 / 51.2 W
LUMENS RÉELS (4000K)	576 / 1160 / 2303 LM	864 / 1739 / 3454 LM	1150 / 2319 / 4612 LM	720 / 1450 / 2879 LM	1083 / 2174 / 4307 LM	1441 / 2900 / 5759 LM
EFFICACITÉ	96 / 94 / 90 LM/W	96 / 94 / 90 LM/W	96 / 95 / 91 LM/W	120 / 118 / 112 LM/W	120 / 118 / 112 LM/W	120 / 118 / 112 LM/W
OTHER INFORMATION						
POIDS	~ 6.6 LBS / 3 KG	~ 7.7 LBS / 3.5 KG	~ 9 LBS / 4 KG			
L70 (MAINTENANCE DE LA LUMIÈRE)	60,000 HRS	60,000 HRS	60,000 HRS	60,000 HRS	60,000 HRS	60,000 HRS

FACTEUR D'EFFICACITÉ

IRC	CCT	FACTEUR
90+	4000K	1.00
90+	3500K	0.98
90+	3000K	0.94
90+	2700K	0.91

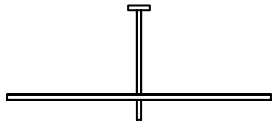
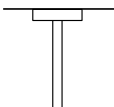
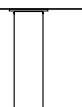
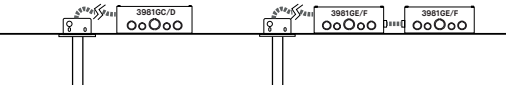


Visitez notre site Web pour les termes et conditions.

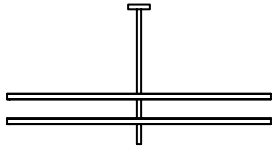
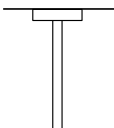
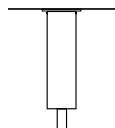
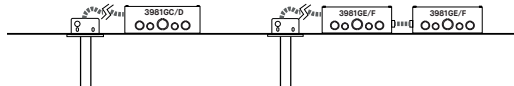


DONNÉES TECHNIQUES

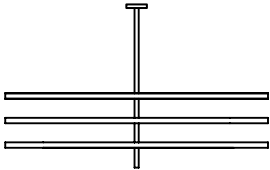
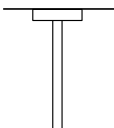
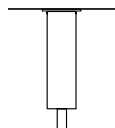
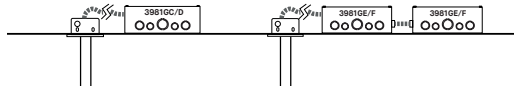
JUNCTION - 74710 - CANOPY COMPATIBILITY CHART

FIXTURE  1 ARM	CANOPY		
	RC1  SCREWLESS CANO Ø6.00" X 1.38"	RC2  CYLINDRICAL CANO Ø3.50" X 11.80"	RC3  REMOTE DRIVER OPTION FLUSH SCREWLESS CANO
	0-10V + Phase dimming	0-10V + Phase dimming	0-10V dimming only
1 ARM - 48" - D - LOW			3981GC
1 ARM - 48" - D - REG	●	●	3981GC
1 ARM - 48" - D - HO	●	●	3981GC
1 ARM - 48" - DI - LOW	●	●	3981GC
1 ARM - 48" - DI - REG	●	●	3981GC
1 ARM - 48" - DI - HO	●	●	3981GC
1 ARM - 72" - D - LOW	●	●	3981GC
1 ARM - 72" - D - REG	●	●	3981GC
1 ARM - 72" - D - HO	●	●	3981GC
1 ARM - 72" - DI - LOW	●	●	3981GC
1 ARM - 72" - DI - REG	●	●	3981GC
1 ARM - 72" - DI - HO	●	●	3981GC
1 ARM - 96" - D - LOW	●	●	3981GC
1 ARM - 96" - D - REG	●	●	3981GC
1 ARM - 96" - D - HO	●	●	3981GC
1 ARM - 96" - DI - LOW	●	●	3981GC
1 ARM - 96" - DI - REG	●	●	3981GC
1 ARM - 96" - DI - HO	●	●	3981GC

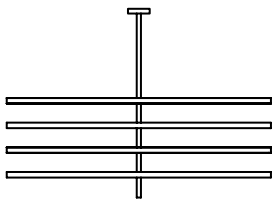
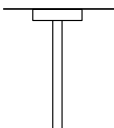
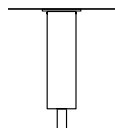
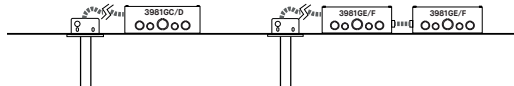
JUNCTION - 74710 - CANOPY COMPATIBILITY CHART

 2 ARMS	CANOPY		
	RC1	RC2	RC3
	 SCREWLESS CANO Ø6.00" X 1.38"	 CYLINDRICAL CANO Ø3.50" X 11.80"	 REMOTE DRIVER OPTION FLUSH SCREWLESS CANO Ø4.50" X 0.50"
	0-10V + Phase dimming	0-10V + Phase dimming	0-10V dimming only
2 ARMS - 48" - D - LOW	●	●	3981GC
2 ARMS - 48" - D - REG	●	●	3981GC
2 ARMS - 48" - D - HO	●	●	3981GC
2 ARMS - 48" - DI - LOW	●	●	3981GC
2 ARMS - 48" - DI - REG	●	●	3981GC
2 ARMS - 48" - DI - HO	●	●	3981GC
2 ARMS - 72" - D - LOW	●	●	3981GC
2 ARMS - 72" - D - REG	●	●	3981GC
2 ARMS - 72" - D - HO	●	●	3981GC
2 ARMS - 72" - DI - LOW	●	●	3981GC
2 ARMS - 72" - DI - REG	●	●	3981GC
2 ARMS - 72" - DI - HO		●	3981GC
2 ARMS - 96" - D - LOW	●	●	3981GC
2 ARMS - 96" - D - REG	●	●	3981GC
2 ARMS - 96" - D - HO	●	●	3981GC
2 ARMS - 96" - DI - LOW	●	●	3981GC
2 ARMS - 96" - DI - REG	●	●	3981GC
2 ARMS - 96" - DI - HO		●	NON-IC : 3981GD1 (120V) / 3981GD2 (277V)

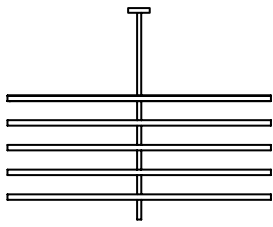
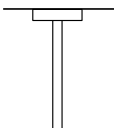
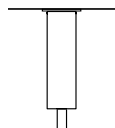
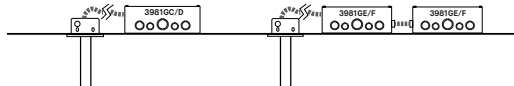
JUNCTION - 74710 - CANOPY COMPATIBILITY CHART

FIXTURE  3 ARMS	CANOPY		
	RC1  SCREWLESS CANO Ø6.00" X 1.38"	RC2  CYLINDRICAL CANO Ø3.50" X 11.80"	RC3  REMOTE DRIVER OPTION FLUSH SCREWLESS CANO Ø4.50" X 0.50"
	0-10V + Phase dimming	0-10V + Phase dimming	0-10V dimming only
3 ARMS - 48" - D - LOW	●	●	3981GC
3 ARMS - 48" - D - REG	●	●	3981GC
3 ARMS - 48" - D - HO	●	●	3981GC
3 ARMS - 48" - DI - LOW	●	●	3981GC
3 ARMS - 48" - DI - REG	●	●	3981GC
3 ARMS - 48" - DI - HO		●	NON-IC : 3981GD1 (120V) / 3981GD2 (277V)
3 ARMS - 72" - D - LOW	●	●	3981GC
3 ARMS - 72" - D - REG	●	●	3981GC
3 ARMS - 72" - D - HO		●	3981GC
3 ARMS - 72" - DI - LOW	●	●	3981GC
3 ARMS - 72" - DI - REG		●	3981GC
3 ARMS - 72" - DI - HO			IC DOUBLE BOX : 3981GE
3 ARMS - 96" - D - LOW	●	●	3981GC
3 ARMS - 96" - D - REG	●	●	3981GC
3 ARMS - 96" - D - HO		●	NON-IC : 3981GD1 (120V) / 3981GD2 (277V)
3 ARMS - 96" - DI - LOW	●	●	3981GC
3 ARMS - 96" - DI - REG		●	NON-IC : 3981GD1 (120V) / 3981GD2 (277V)
3 ARMS - 96" - DI - HO			NON-IC DOUBLE BOX 3981GF1 (120V) / 3981GF2 (277V)

JUNCTION - 74710 - CANOPY COMPATIBILITY CHART

FIXTURE  4 ARMS	CANOPY		
	RC1  SCREWLESS CANO Ø6.00" X 1.38"	RC2  CYLINDRICAL CANO Ø3.50" X 11.80"	RC3  REMOTE DRIVER OPTION FLUSH SCREWLESS CANO Ø4.50" X 0.50"
	0-10V + Phase dimming	0-10V + Phase dimming	0-10V dimming only
4 ARMS - 48" - D - LOW	●	●	3981GC
4 ARMS - 48" - D - REG	●	●	3981GC
4 ARMS - 48" - D - HO	●	●	3981GC
4 ARMS - 48" - DI - LOW	●	●	3981GC
4 ARMS - 48" - DI - REG	●	●	3981GC
4 ARMS - 48" - DI - HO		●	NON-IC : 3981GD1 (120V) / 3981GD2 (277V)
4 ARMS - 72" - D - LOW	●	●	3981GC
4 ARMS - 72" - D - REG	●	●	3981GC
4 ARMS - 72" - D - HO		●	3981GC
4 ARMS - 72" - DI - LOW	●	●	3981GC
4 ARMS - 72" - DI - REG		●	3981GC
4 ARMS - 72" - DI - HO			IC DOUBLE BOX : 3981GE
4 ARMS - 96" - D - LOW	●	●	3981GC
4 ARMS - 96" - D - REG	●	●	3981GC
4 ARMS - 96" - D - HO		●	NON-IC : 3981GD1 (120V) / 3981GD2 (277V)
4 ARMS - 96" - DI - LOW	●	●	3981GC
4 ARMS - 96" - DI - REG		●	NON-IC : 3981GD1 (120V) / 3981GD2 (277V)
4 ARMS - 96" - DI - HO			NON-IC DOUBLE BOX 3981GF1 (120V) / 3981GF2 (277V)

JUNCTION - 74710 - CANOPY COMPATIBILITY CHART

 5 ARMS	CANOPY		
	RC1	RC2	RC3
	 SCREWLESS CANO Ø6.00" X 1.38"	 CYLINDRICAL CANO Ø3.50" X 11.80"	 REMOTE DRIVER OPTION FLUSH SCREWLESS CANO Ø4.50" X 0.50"
	0-10V + Phase dimming	0-10V + Phase dimming	0-10V dimming only
5 ARMS - 48" - D - LOW	●	●	3981GC
5 ARMS - 48" - D - REG	●	●	3981GC
5 ARMS - 48" - D - HO		●	3981GC
5 ARMS - 48" - DI - LOW	●	●	3981GC
5 ARMS - 48" - DI - REG		●	3981GC
5 ARMS - 48" - DI - HO			NON-IC DOUBLE BOX 3981GF1 (120V) / 3981GF2 (277V)
5 ARMS - 72" - D - LOW	●	●	3981GC
5 ARMS - 72" - D - REG		●	3981GC
5 ARMS - 72" - D - HO			IC DOUBLE BOX : 3981GE
5 ARMS - 72" - DI - LOW		●	3991GC
5 ARMS - 72" - DI - REG			IC DOUBLE BOX : 3981GE
5 ARMS - 72" - DI - HO	not offered		
5 ARMS - 96" - D - LOW	●	●	3981GC
5 ARMS - 96" - D - REG		●	3981GC
5 ARMS - 96" - D - HO			NON-IC DOUBLE BOX 3981GF1 (120V) / 3981GF2 (277V)
5 ARMS - 96" - DI - LOW		●	3981GC
5 ARMS - 96" - DI - REG			NON-IC DOUBLE BOX 3981GF1 (120V) / 3981GF2 (277V)
5 ARMS - 96" - DI - HO	not offered		